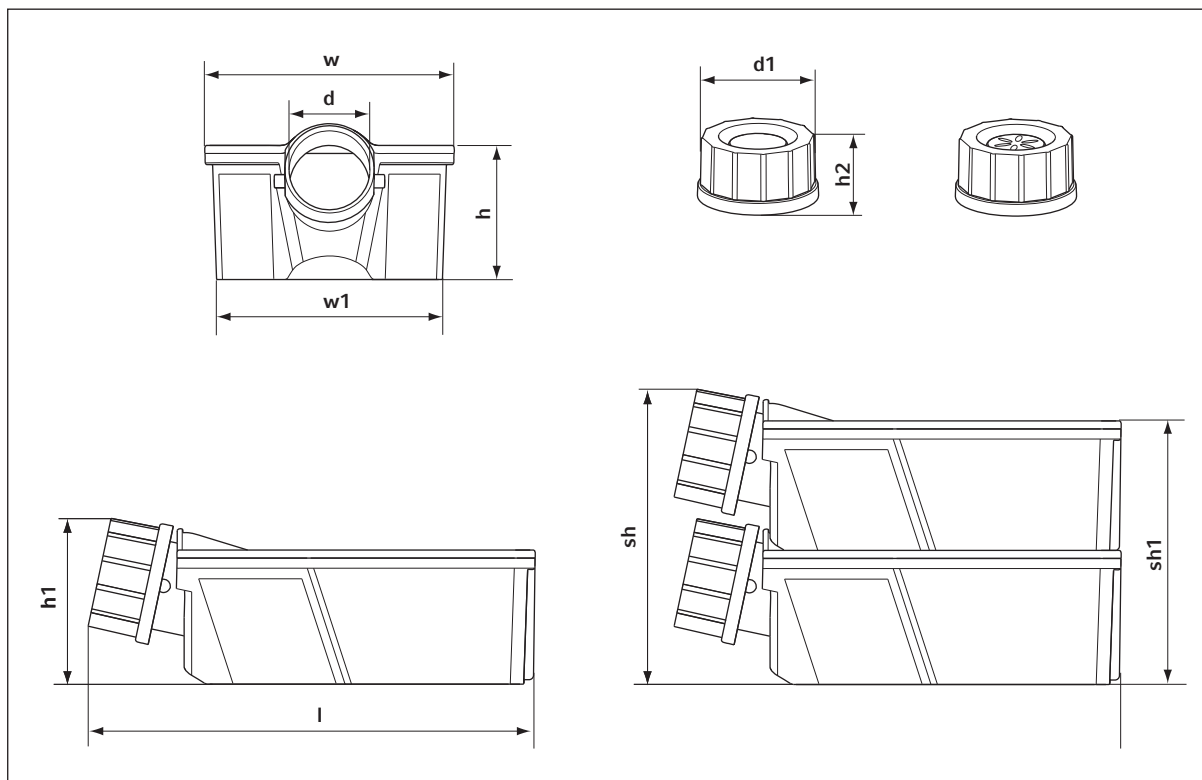


Technical Data Sheet
Eppendorf Cell Culture Flask T-75
English (EN)



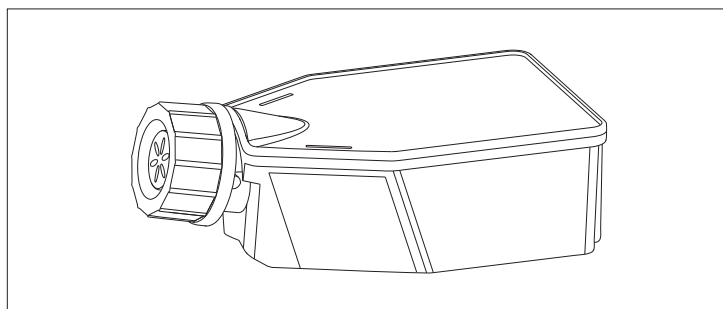
Flask dimensions [mm]

| Length | Width | | Height | |
|--------|-------|-------|--------|-------|
| l | w | w_1 | h | h_1 |
| 163.0 | 82.0 | 76.4 | 36.0 | 46.6 |

Cap and flask neck dimensions [mm]

| Diameter flask neck | Cap diameter | Cap height | Stack height | |
|---------------------|--------------|------------|--------------|--------|
| d | d_1 | h_2 | sh | sh_1 |
| 25.0 | 35.2 | 18.4 | 81.0 | 71.0 |

Technical Data Sheet
Eppendorf Cell Culture Flask T-75
English (EN)



| | |
|-------------------------------------|---|
| Description | Eppendorf Cell Culture Flask, T-75 0030 711.122: TC treated, with filter cap (80 pieces) 0030 711.114: TC treated, with plug-seal cap (80 pieces) 0030 711.025: non-treated, with filter cap (80 pieces) 0030 711.017: non-treated, with plug-seal cap (80 pieces) |
| Dimensions | 163.0 × 82.0 × 46.6 mm |
| Weight | 47.0 g |
| Theoretical total volume | 279.8 mL |
| Working volume | 8.0 to 20.0 mL |
| Growth area | 77.9 cm ² |
| Material | Polystyrol, meets USP Class VI specifications |
| Color | Transparent |
| Operating temperature | -86 °C to +60 °C |
| Centrifugability | Can be centrifuged with the suitable adapters. Refer to the manufacturer's instructions of centrifuge. |
| Autoclavable | — |
| Shelf life | 5 years |
| Packing unit | 80 flasks (16 bags of 5 pieces) |
| Lot-specific certificates | Sterility: Sal 10 ⁻⁶ (according to ISO 11137-2:2007) Pyrogene: <0,001 EU/mL (according to Ph. Eur. 2.6.14) RNase: <10 ⁻⁹ Kunitz units DNase: <10 ⁻⁶ Kunitz units Human DNA: <2 pg Bacterial DNA: <50 fg Tissue culture surfaces tested by cell growth. |
| Certificates of quality | Quality Assurance of surface properties. Products are non-cytotoxic according to DIN EN ISO 10993-5. Products are produced in a class 7 clean room environment according to ISO 14644-1 and EG-GMP Class C. Material suppliers of Eppendorf do not use or intentionally incorporate slip agents, biocides, plasticizers, bisphenol A, latex, antistatic agents, metallic dyes or mineral oil in the materials Eppendorf uses for the production of Eppendorf Cell Culture Consumables. |
| Eppendorf Quality Management | ISO 9001/13485/14001 |

Your local distributor: www.eppendorf.com/contact
Eppendorf AG · 22331 Hamburg · Germany
eppendorf@eppendorf.com · www.eppendorf.com